



**HLT 575, 230 V, 50 Hz**

**Rugged, dependable helium leak detector, absolutely oil-free**

**PFEIFFER**  **VACUUM**

Pfeiffer Vacuum · Headquarters/Germany

Tel. +49 (0) 6441 802-0 · Fax +49 (0) 6441 802-202 · [info@pfeiffer-vacuum.de](mailto:info@pfeiffer-vacuum.de) · [www.pfeiffer-vacuum.net](http://www.pfeiffer-vacuum.net)

## HLT 575, 230 V, 50 Hz

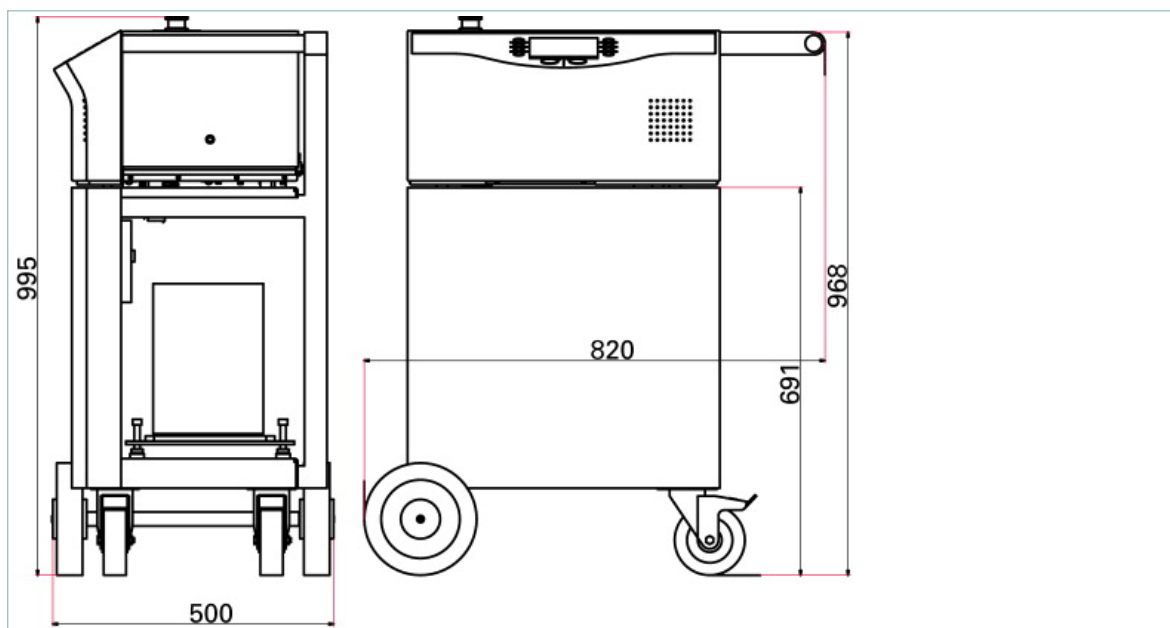
### HLT 575



[Similar Image](#)

- ▶ Rugged, dependable helium leak detector, absolutely oil-free
- ▶ For a mains voltage of 230 V, 50 Hz
- ▶ With cart and 28 m<sup>3</sup>/h dry pump
- ▶ Very easy operation to achieve precise measuring results
- ▶ Wireless remote control optional, distance up to 100 m as well as data logging to USB stick
- ▶ Durable and industry-tested mass spectrometer

### Dimensions



## HLT 575, 230 V, 50 Hz

Technical Data	HLT 575, 230 V, 50 Hz
Ambient temperature	10-35 °C
Cold start to ready	3 min
Detectable gases	<sup>4</sup> He, <sup>3</sup> He, H <sub>2</sub>
Flange (in)	DN 25 ISO-KF
Inlet pressure max.	25 mbar
Input: Analog	ActiveLine vacuum transmitter
Input: Digital	Start/Stop, Vent, Zero, Calibration, Bypass detection
Interface	RS-232-C, RS-485
Leak rate display	10 <sup>-12</sup> - 1 mbar l/s
Output: Analog	Leakage rate signal 2 x 0-10 V, lin/log
Output: Digital	Ready to start, Ready to measure, Leak, Error, Bypass valve, Calibration acknowledge
Power consumption	900 VA
Pumping speed for He	2,5 l/s
Pumping time to ready: 100 l test volume	160 s
Pumping time to ready: 10 l test volume	16 s
Relay: Switching capacity	2 x 230 V AC
Relay: Switching current	3 A
Response time	0,5 s
Roughing pump	Scrollpump 28 m <sup>3</sup> /h
Smallest detectable leak rate for <sup>4</sup> He (according AVS 2.1)	< 5 · 10 <sup>-12</sup> mbar l/s
Sniffer probe, detectable leak rate	< 5 · 10 <sup>-8</sup> mbar l/s
Supply	230 V, 50 Hz
Test method	Vacuum and sniffing leak detection
Weight	140 kg
<b>Order number</b>	<b>PTL02165</b>

## HLT 575, 230 V, 50 Hz

Accessories	HLT 575, 230 V, 50 Hz
	<b>PT445400</b>
	<b>PT445411-T</b>
Bypass option, with mains cable and German plug	<b>PT445410-T</b>
Centering ring, with poral filter, FPM/stainless steel, DN 25 ISO-KF	<b>PF117225-T</b>
CL 002 A, Sniffer test leak, gas mixture He : H <sub>2</sub> = 95 % : 5 % leak rate approx. 10 <sup>-6</sup> mbar l/s	<b>BG449025A</b>
CL 004, Sniffer test leak, He leak rate approx. 10 <sup>-4</sup> mbar l/s, He	<b>BG447704-T</b>
CL 004, Sniffer test leak, He leak rate approx 10 <sup>-5</sup> mbar l/s, He	<b>BG447705-T</b>
CL 004, Sniffer test leak, He leak rate approx 10 <sup>-6</sup> mbar l/s, He	<b>BG447706-T</b>
Connection cable, plug M12, RJ 45, 3 m	<b>PM051726-T</b>
Connection cable for remote control unit, 4 m	<b>PT445401</b>
CT 406, He test leak, leak rate approx. 10 <sup>-6</sup> mbar l/s, DN 10 ISO-KF	<b>PT445406</b>
CT 408, He test leak, leak rate approx. 10 <sup>-8</sup> mbar l/s, DN 10 ISO-KF	<b>B8116557</b>
CT 446, He test leak, leak rate adjustable from 10 <sup>-6</sup> - 10 <sup>-4</sup> mbar l/s, DN 10 ISO-KF	<b>B8115580</b>
Extension cable for remote control unit, 8 m	<b>PT445402</b>
Helium pistol	<b>BG512125-T</b>
LP 503, sniffer probe with standard tip, 3 m	<b>BG449207-T</b>
LP 505, sniffer probe with standard tip, 5 m	<b>BG449208-T</b>
LP 510, sniffer probe with standard tip, 10 m	<b>BG449209-T</b>
Software for SmartTest helium leak detector	<b>PT882610-AT</b>
USB converter to RS-485 interface	<b>PM061207-T</b>